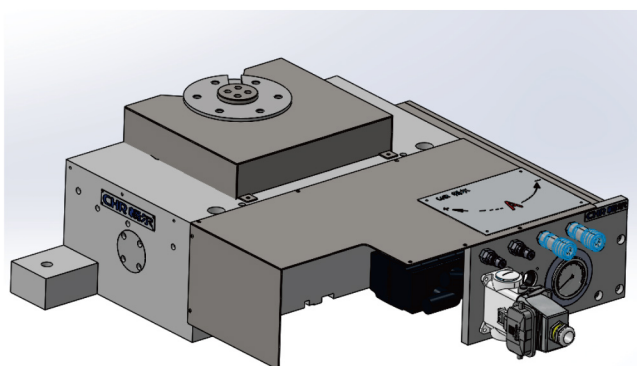


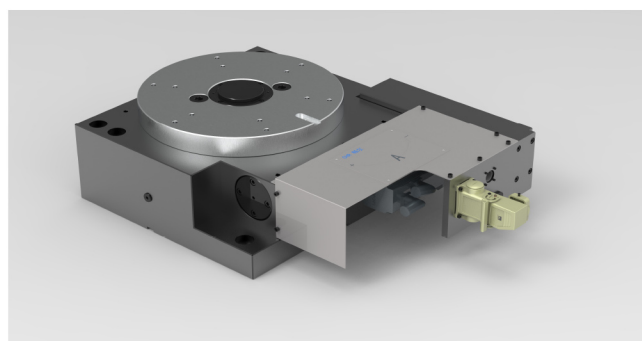
## 数控转台选型表

Selection table of CNC turntable

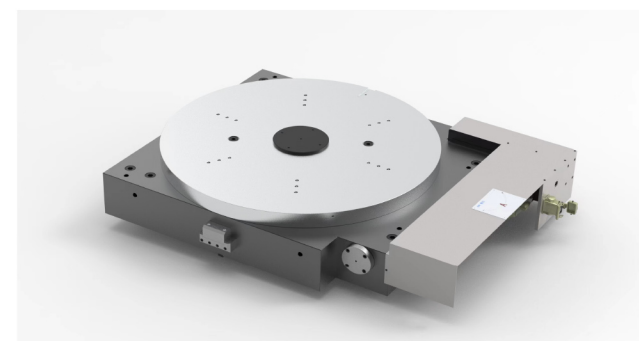
台面直径	台面承载	轴向载荷	锁紧时最大倾覆力矩	转动角度	转台顶面运行精度	中心孔跳动	转台顶面和基面平行度	转台顶面平面度(凹度)	锁紧力(台面锁紧时)	工作台高度	定位精度(按德国标准VDI3441)	重复定位精度(按德国标准VDI3441)
Ø94mm (4英寸)	200kg	14700N	1800Nm	±360°	≤0.01mm	≤0.01mm	≤0.01mm	≤0.01mm	900Nm	250±0.02mm	20"	15"
Ø120mm (5英寸)	300kg	50000N	2000Nm	±360°	≤0.01mm	≤0.01mm	≤0.01mm	≤0.01mm	1000Nm	250±0.02mm	20"	15"
Ø160mm (6英寸)	500kg	80000N	6000Nm	±360°	≤0.01mm	≤0.01mm	≤0.01mm	≤0.01mm	3000Nm	250±0.02mm	15"	10"
Ø305mm (12英寸)	1500kg	100000N	14000Nm	±360°	≤0.01mm	≤0.01mm	≤0.01mm	≤0.01mm	6600Nm	250±0.02mm	15"	10"
Ø355mm (14英寸)	2000kg	110000N	18000Nm	±360°	≤0.01mm	≤0.01mm	≤0.01mm	≤0.01mm	9000Nm	250±0.02mm	10"	6"
Ø455mm (18英寸)	3000kg	140000N	32000Nm	±360°	≤0.01mm	≤0.01mm	≤0.01mm	≤0.01mm	16000Nm	250±0.02mm	10"	6"
Ø508mm (20英寸)	3200kg	160000N	40000Nm	±360°	≤0.01mm	≤0.01mm	≤0.01mm	≤0.01mm	20000Nm	250±0.02mm	10"	6"
Ø560mm (22英寸)	4000kg	180000N	48000Nm	±360°	≤0.01mm	≤0.01mm	≤0.01mm	≤0.01mm	24000Nm	250±0.02mm	10"	6"
Ø710mm (28英寸)	4500kg	220000N	76000Nm	±360°	≤0.01mm	≤0.01mm	≤0.01mm	≤0.01mm	38000Nm	300±0.02mm	10"	6"
Ø800mm (32英寸)	5200kg	250000N	84000Nm	±360°	≤0.01mm	≤0.01mm	≤0.01mm	≤0.01mm	42000Nm	300±0.02mm	10"	6"
Ø850mm (34英寸)	5500kg	270000N	90000Nm	±360°	≤0.01mm	≤0.01mm	≤0.01mm	≤0.01mm	45000Nm	300±0.02mm	10"	6"
Ø1250mm (50英寸)	8000kg	400000N	256000Nm	±360°	≤0.015mm	≤0.015mm	≤0.015mm	≤0.015mm	128000Nm	300±0.02mm	10"	6"



Ø160mm (6英寸)



Ø455mm (18英寸)



Ø1250mm (50英寸)

特殊规格可按需定制